

# ROSKAMP RC 1200/1600 SERIES roll crushers



# we're crushing it.



**TRC**  
two roll crusher

**FRC**  
four roll crusher

**SRC**  
six roll crusher

**ROSKAMP**  
RC 1200/1600  
SERIES  
roll crushers



## Built to perform

Salt, limestone, cat litter—whatever you're processing, if you have friable material to grind, nothing meets your demands like a Roskamp roll crusher from CPM. These robust machines come equipped with two, four, or six rolls to keep your operation crushing 24 hours a day, 365 days a year.

And our equipment leads the industry in cost of ownership—with the lowest energy consumption per ton processed and the lowest overall cost per ton of production over the life of the equipment. There's no better investment you can make in your business.

Roskamp roll crushers are built to stand up to the rigors of the most demanding grinding applications, and engineered for optimum reliability and longevity. Replace your existing grinders with our robust technology and achieve your target grind size at a lower specific energy and with fewer fines.

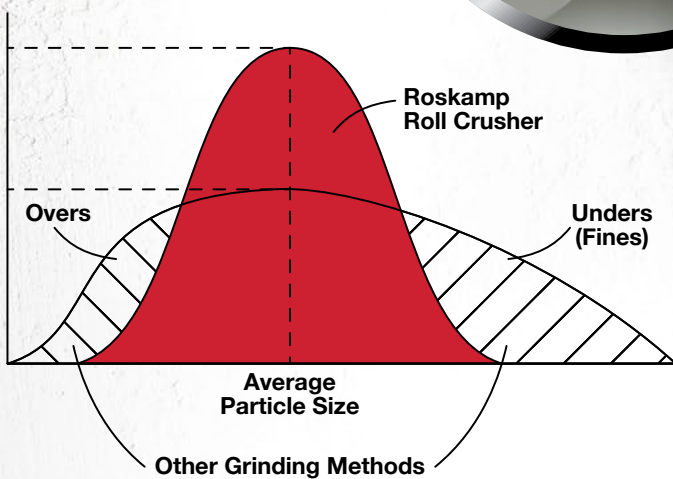
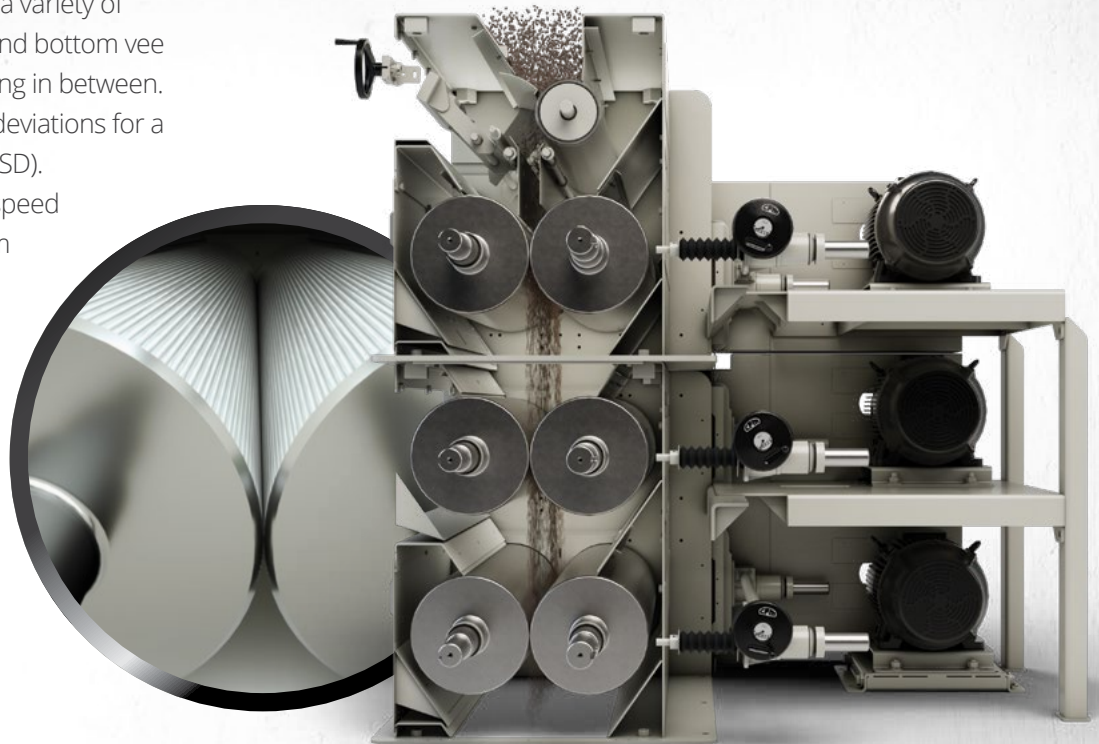
## Larger diameter, more materials

Food, oilseed, animal feed, salt, minerals, and abrasives are just some of the industries that trust Roskamp roll crushers. While others focus mainly on one market or material, CPM is experienced in a wide array of applications. We bring that vast knowledge to product design, resulting in the most robust roll crusher in the industry—including the 16" roll design.

These larger diameter rolls minimize roll deflection for more difficult, harder materials at high production rates, allowing for longer rolls without risk. The shafts, bearings, bearing housings, and jack screws further enhance this capability. Our ability to handle the most difficult materials means you can also use Roskamp roll crushers for less demanding applications, increasing the longevity, dependability, and cost-efficiency of your equipment.

## Corrugations count

What is inside your Roskamp roller mill is what truly sets it apart. Choose from a variety of corrugation designs—from round bottom vee (RBV) to sawtooth, and everything in between. These are key to low standard deviations for a tight particle size distribution (PSD). Combined with roll speed, roll speed differential (RSD), and maximum and minimum set points, your equipment can be customized for virtually any type of material—friable, hard, fibrous, and more.



*Roskamp roll crushers produce a tighter particle size distribution (PSD) with a lower standard deviation, ensuring high yield and efficiency.*

## One-point roll adjustment? You bet

Our unique single-point roll adjustment is made by machine jack screws. This means that the rolls remain parallel throughout the adjustment range. Plus, the positive roll stops offer maximum protection against roll-to-roll contact. Bottom line: Adjusting your rolls is faster and easier than you can imagine.

## The CPM Advantage

CPM equipment never stops delivering state-of-the-art technology and performance, and the CPM team never stops working for you. Our sales and applications teams are unparalleled in the industry. With years of experience and deep understanding for not only the technology, but also the “feel” of an application, our experts can solve your biggest particle size reduction challenges.

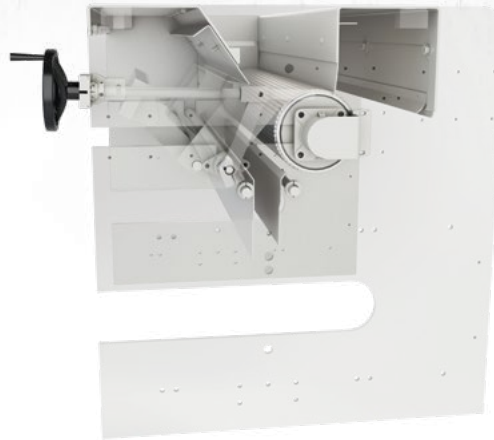
Put our applications engineers to work for you in our world-class test center and discover for yourself The CPM Advantage. We'll run small quantities of your materials to achieve your specified grind, then shift to capacity runs to generate data that scales to your production requirements. This ensures maximum performance and cost efficiency for your equipment and application.

We're constantly innovating to deliver you an edge over your competition, and to move the whole industry forward. That's the CPM Advantage.

# RC 1200/1600 Series Roll Crusher options

## Feeder options

Our roll feeder is unparalleled for uniform, consistent delivery of material to the grinding rolls. The waterfall cascade capability of this design ensures no amperage spiking and optimized feed rate compared to maximum amperage load. A volumetric rotary pocket feeder with separate drive is available as an alternative to a roll feeder.



## Remote adjust feeder and rolls

The feed gate and rolls can be either manually controlled or set up with a remote capability that can interface directly with your programmable logic controller (PLC) and HMI, making it easy to switch between multiple recipes. Our linear positioning sensor makes remote start and shutoff possible without forgetting any steps and without operator error. This also provides machine setting security, ensuring no one can make unauthorized adjustments.

## Models and Descriptions

CPM Model	Maximum HP	Approx. Weight lbs (kgs)
TRC-1200-12	20	5,800 (2,700)
TRC-1200-24	30	6,350 (2,880)
TRC-1200-30	40	6,650 (3,016)
TRC-1200-36	50	6,950 (3,153)
TRC-1200-42	60	8,050 (3,651)
TRC-1200-52	75	8,700 (3,946)
TRC-1600-30	50	7,500 (3,402)
TRC-1600-36	60	9,000 (4,082)
TRC-1600-42	75	8,077 (3,664)
TRC-1600-52	100	10,000 (4,545)
FRC-1200-12	40	8,600 (3,900)
FRC-1200-24	60	9,700 (4,400)
FRC-1200-30	75	10,300 (4,672)
FRC-1200-36	100	10,900 (4,944)
FRC-1200-42	120	13,100 (5,942)
FRC-1200-52	150	14,400 (6,532)
FRC-1600-30	100	12,367 (5,610)
FRC-1600-36	120	14,840 (6,731)
FRC-1600-42	150	15,128 (6,862)
FRC-1600-52	200	18,730 (8,496)
SRC-1200-12	60	12,000 (5,500)
SRC-1200-24	90	13,500 (6,146)
SRC-1200-30	125	14,450 (6,555)
SRC-1200-36	150	15,350 (6,963)
SRC-1200-42	180	18,250 (8,278)

CPM Model	Maximum HP	Approx. Weight lbs (kgs)
SRC-1200-42	180	18,250 (8,278)
SRC-1200-52	225	20,600 (9,344)
SRC-1600-30	150	19,867 (9,012)
SRC-1600-36	180	23,840 (10,814)
SRC-1600-42	225	25,442 (11,540)
SRC-1600-52	300	31,500 (14,318)

### Quick reference to CPM Model Number System

Using the example Model Number: FRC-1200-36

TRC = Two Roll Crusher  
 FRC = Four Roll Crusher  
 SRC = Six Roll Crusher

1200 = 12 in (305 mm)  
 1600 = 16 in (406 mm)

36 = Roll Length (in inches)

## CONTACT US

To learn more about our powerful roll crushers and other processing equipment, contact a Roskamp Champion representative or visit [cpm.net](http://cpm.net) today.

### CPM Americas

2975 Airline Circle  
 Waterloo, IA 50703  
**Ph:** 319-232-8444  
 800-366-2563

### CPM Europe

Rijder 2  
 1507 DN Zaandam  
 The Netherlands  
**Ph:** 31 (0)75 6512 611

### CPM/Pacific Private Ltd.

21 Gul Drive  
 Singapore 629470  
 Republic of Singapore  
**Ph:** 65-6265-0701

### CPM Machinery (Wuxi) Co. Ltd.

No. 10 Xindu Road  
 Wuxi-Singapore Industrial Park  
 Jiangsu Province  
 People's Republic of China  
**Ph:** (86) 0510 85280487/ 85282240

### Crown Americas – Crown Iron Tecnologias Ltda

Av. Ibirapuera nº 2120 – cj 224 –  
 Edifício Contemporary Tower  
 Moema – São Paulo/SP – BR  
 04028-001  
**Ph:** 55-11-3074-4099

### Crown Americas – CPM Argentina S.R.L.

Junin 191, Edif. Alto Buró Piso 6. Of.2  
 Rosario (2000) Santa Fe  
 Argentina  
**Ph:** 54-341-529-5306



**ROSKAMP  
 CHAMPION**  
 Your Partner in Productivity